



SOUNDWELL®

<http://soundwell-cn.com>

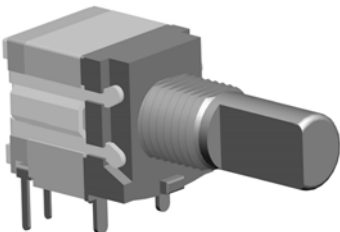
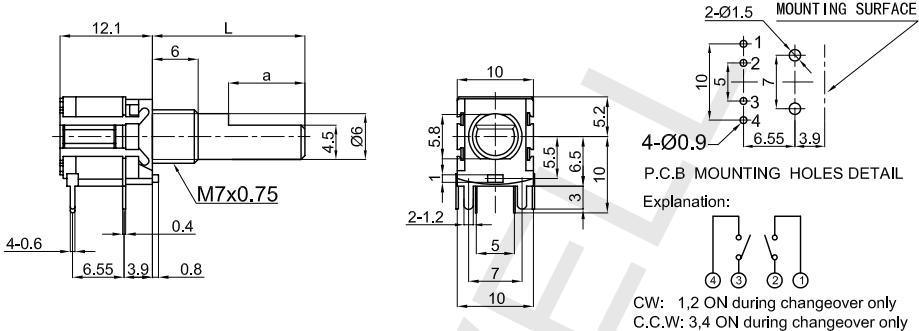
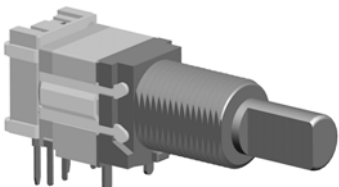
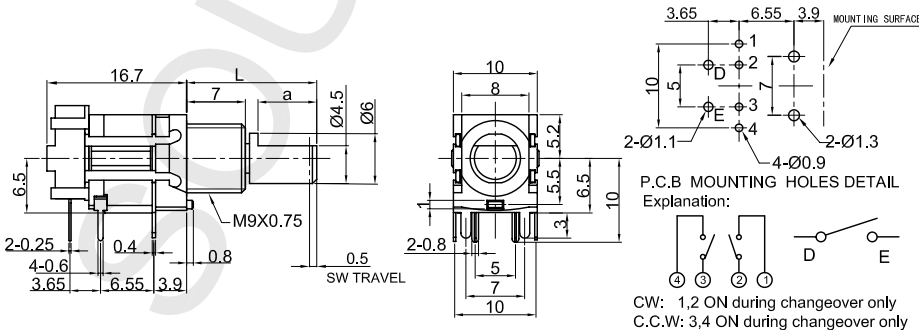
# RS1002 Series SWITCH



企业微信，扫码有惊喜



升威官网，发现更多产品

MODEL 品名	DIMENSIONS 尺寸	UNIT:mm
<p>RS1002SWA0X-VA1</p> 	 <p>Technical drawings for RS1002SWA0X-VA1 showing side view, front view, and P.C.B mounting holes detail. Dimensions include 12.1, 6, L, a, 4.5, Ø6, 4-0.6, 6.55, 3.9, 0.8, 10, 5.8, 5.5, 6.5, 10, 2-1.2, 5, 7, 10, 2-Ø1.5, MOUNTING SURFACE, 4-Ø0.9, P.C.B MOUNTING HOLES DETAIL, Explanation: CW: 1,2 ON during changeover only, C.C.W: 3,4 ON during changeover only.</p>	
<p>RS1002SCC0X-VA1</p> 	 <p>Technical drawings for RS1002SCC0X-VA1 showing side view, front view, and P.C.B mounting holes detail. Dimensions include 16.7, 7, L, a, Ø4.5, Ø6, 6.5, 2-0.25, 4-0.6, 3.65, 6.55, 3.9, 0.8, 0.5, SW TRAVEL, 10, 8, 5.8, 5.5, 6.5, 10, 2-Ø1.1, MOUNTING SURFACE, 4-Ø0.9, P.C.B MOUNTING HOLES DETAIL, Explanation: CW: 1,2 ON during changeover only, C.C.W: 3,4 ON during changeover only.</p>	